

# BASE STATION - SINGLE LAMP

## SPECIFICATIONS

### GENERAL DESCRIPTION

Lamps locate on Base Stations for charging with LED charge indication.

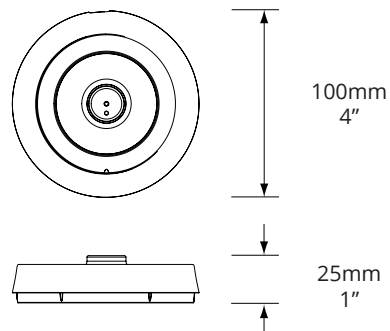
Base Station Switching - simply rotate Lamp half a turn for different brightness levels (patented).

Lamps illuminate using mains power when on Base Station.



### TECHNICAL DATA

Dimensions	{Ø100mm x 25mm} x 5 units {Ø4" x 1"} x 5 units
Weight	0.25 kg / 0.5 lb
Material	Polycarbonate
Switch Mode Power Supply	Input: 100-240V 50Hz - 60Hz 0.6A Output: DC 15V 1A 15W
Approvals & Standards	CE, CSA, C-Tick, FCC, RoHS Compliant
Main lead / plug to specification	Type A - N.American / Japanese 2-pin Type C - European 2-pin Type G - British 3-pin Type I - Australian 2/3-pin



*Information correct as of May 2018.  
Specifications are subject to change without notice.*