

The logo for NEOZ, consisting of the word "NEOZ" in a white, sans-serif font, enclosed within a white rectangular border.

NEOZ

V4 Cordless Lamp System

Commercial User Guide

Welcome!

Welcome	1
Important Notes	2
Components + Connection Diagram	3
Charging System	4
Charging the Battery	8
The Lamp Control	10
Operating Modes	11
Operating + Light Time	12
Battery Charge Level Display	13
Battery Maintenance	14
Cleaning	15
Diffuser Replacement	16
Light Bulb Replacement	18
Battery Replacement	19
Warranty	23
Specification	24

Welcome!

Thank you for investing in a NEOZ Cordless Lamp System - the world's first rechargeable Lithium-ion powered Table Lamps. This user guide describes it's functions, features and with due care, your Cordless Lamp will provide many years of useful illumination.

We have incorporated over ten years of experience into the design of your new V4 NEOZ Cordless Lamp System. Each Cordless Lamp utilises an advanced electronic control system developed specifically by NEOZ to optimise the battery charging process ensuring reliability and best battery performance.

We welcome + encourage customer feedback on NEOZ Cordless Lamps and trust you enjoy the use of this lamp.

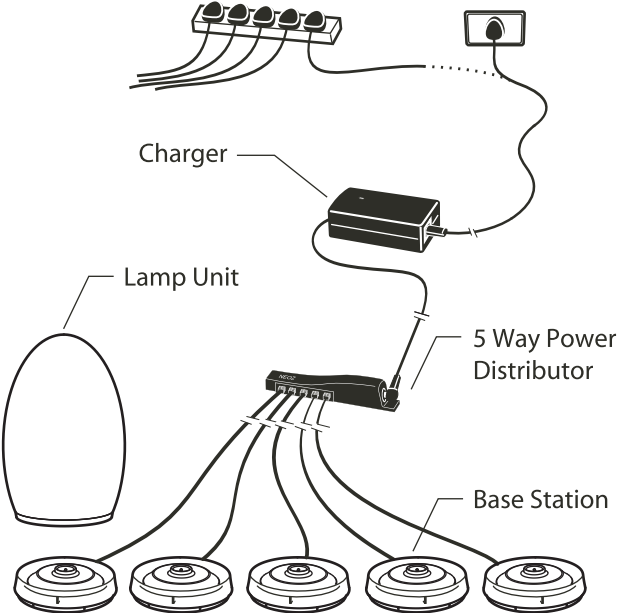
A handwritten signature in black ink that reads "PETER ELLIS". The letters are slightly slanted and connected, with a small dot above the 'I' in "ELLIS".

Peter Ellis
Managing Director

Important Notes

- **Read instruction before use.**
- Do not place lamp on an unstable surface or heat source.
- Do not use a damaged power cord.
- Do not immerse into water.
- Do not expose lamp to extreme humidity and hot environments.
- Use the lamp - batteries like to be exercised for optimum life.
- Only charge the Lamp using approved NEOZ Cordless Lamp Chargers.

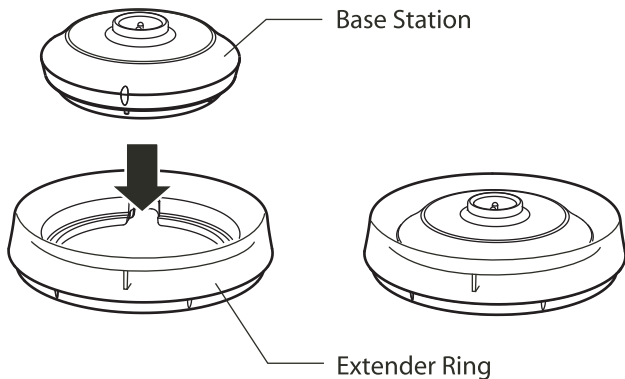
Components + Connection Diagram



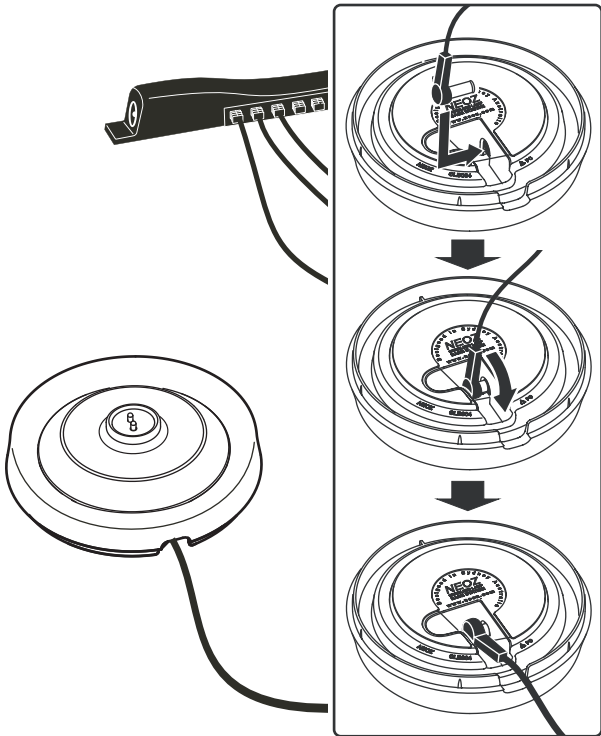
Charging System

Please Follow these easy steps to setup your
Cordless Lamp Charging System

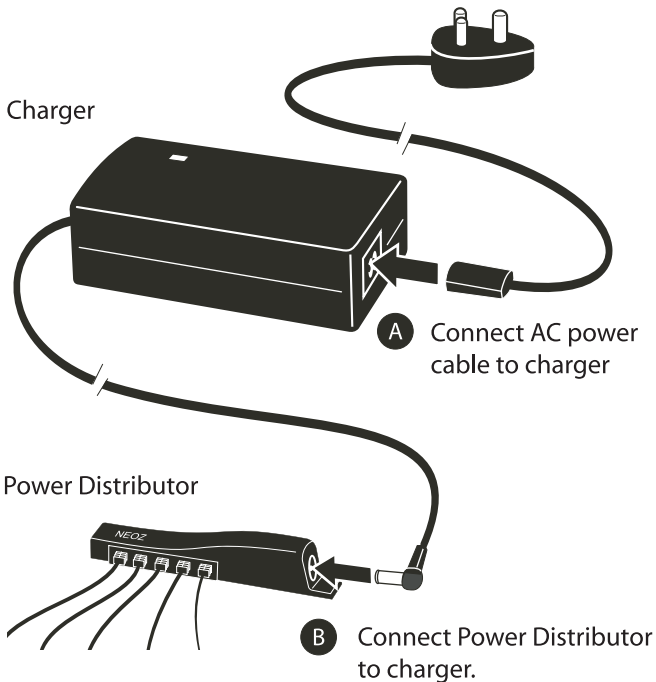
- 1.** If an Extender Ring is supplied please attach it to the Base Station



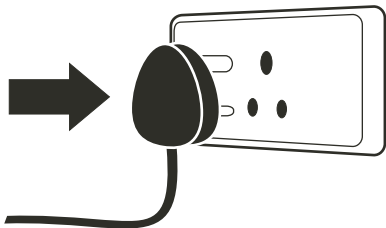
- 2.** Connect DC plugs from Power Distributor to Base Stations.



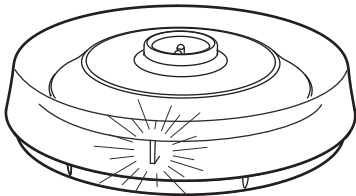
3. Prepare electrical connections from charger



- 4.** Connect AC power plug to wall electrical outlet



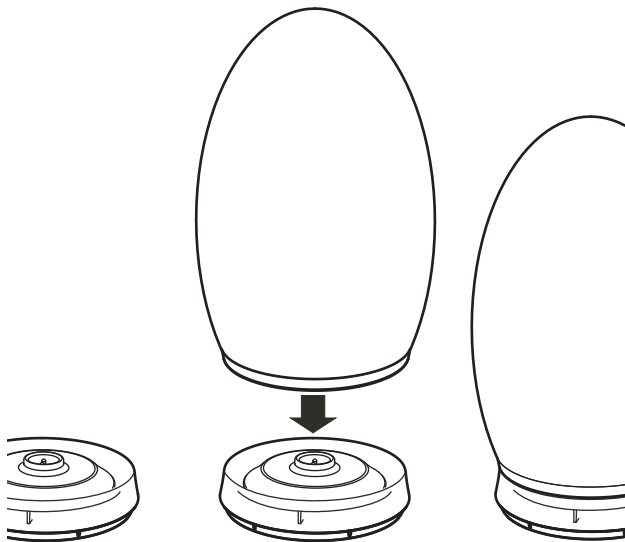
- 5.** Base stations should now be on stand by mode, with charging status indicator showing blue.



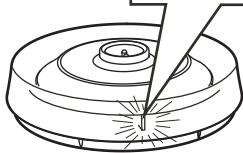
Charging the Battery

To recharge, simply place lamps onto base stations.

Lamps can be placed onto base station when not in use.
Overcharge is impossible.



- | | | |
|--------------|---|-----------------------|
| Blue | - | Stand by without lamp |
| Red | - | Charging in Progress |
| Green | - | Charging Complete |



Model	Charging Time
Cordless Lamp PRO	Approx. 8.5 hours
Cordless Lamp ECO	Approx. 4.5 hours

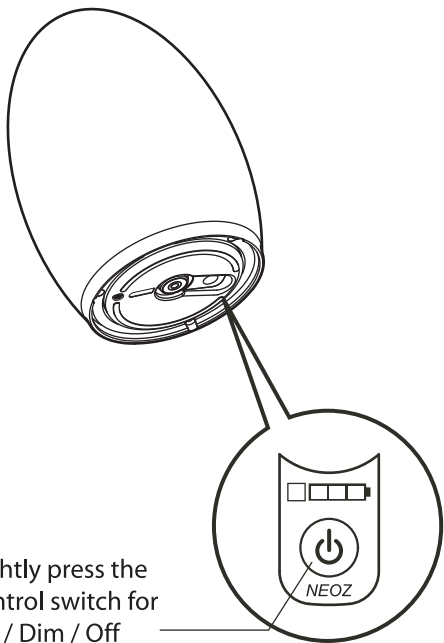
Note

The lamp can be recharged at anytime without being fully discharged. Lithium-ion batteries do not suffer from memory effect.

First Time Use

- Fully charge the lamp before first use.
- Full battery capacity will be achieved after the first few charge / discharge cycles.


Lamp Control



Lightly press the
control switch for
On / Dim / Off

Operating Modes

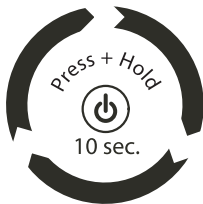
The lamp has 2 operating modes cycled through the control switch.

Normal mode is the default. To switch to the next mode, simply press and hold the switch  for 10 seconds.

Release the switch  when the red LED flashes.

Normal mode

with preset constant brightness levels






Candle mode

with 2 brightness level



Operating + Light Time

Cordless Lamp PRO equipped with 4800mAh Sanyo Li-ion battery

Normal mode



Press  once	>	Full Brightness	=	10 hours
Press  once	>	Medium Intensity	=	15 hours
Press  once	>	Low Intensity	=	30 hours

Candle mode



Press  once	>	Full Brightness	=	16 hours
Press  once	>	Low Intensity	=	24 hours

Cordless Lamp ECO equipped with 2400mAh Sanyo Li-ion battery


Normal mode

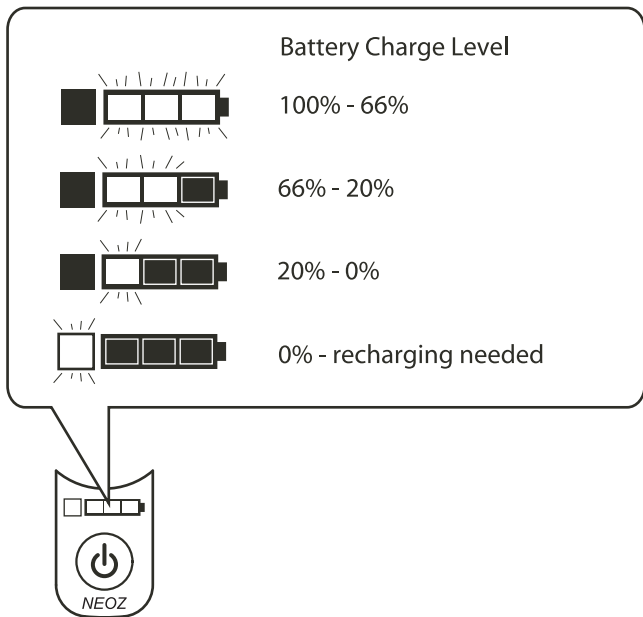
Press  once	>	Full Brightness	=	7 hours
Press  once	>	Low Intensity	=	13 hours

Candle mode

Press  once	>	Full Brightness	=	8 hours
Press  once	>	Low Intensity	=	11 hours

Battery Charge Level Display

The battery charge level display will be on every time the switch  is pressed (except switching off)



Battery Maintenance

NEOZ Cordless Lamps are powered by high capacity rechargeable lithium-ion battery pack. These batteries will perform to their optimum service life if operated with care. Please read the following tips to keep your lamp's battery in the best condition:

- Use the lamp - Rechargeable batteries like to be exercised for optimum life.
- Always store your lamp fully charged and recharge the lamp at least once per month.
- Avoid high temperature. Operating and storing lamps in hot environments will impair performance and shorten battery life.

For battery pack replacement please contact NEOZ or your Cordless Lamp dealer.

Cleaning

Glass Diffusers

Apply silicon based cleaner and wipe with soft cloth.

Resin Diffusers

Apply small amount of moisturising hand cream and wipe with a soft cloth.

Brass & Copper Diffusers

Apply liquid brass/copper polish to a cloth and rub gently over the diffuser surface. Use a second clean, dry cloth to buff the diffuser.

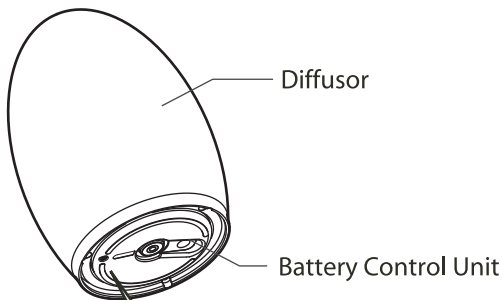
Plastic Diffusers & Parts

Clean with damp cloth and take extra care to avoid liquid spills onto electrical contact.

Stainless Steel Diffusers & Parts

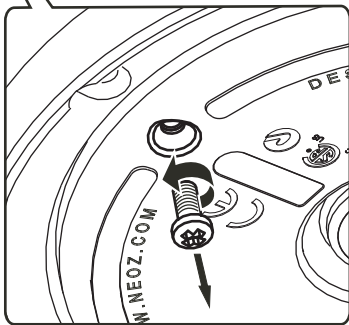
Clean with damp cloth. Use stainless steel polish & cleaner to remove stains and help minimize scratches.

Diffusor Replacement



1.

Remove the screw
from the Battery
Control Unit



2.

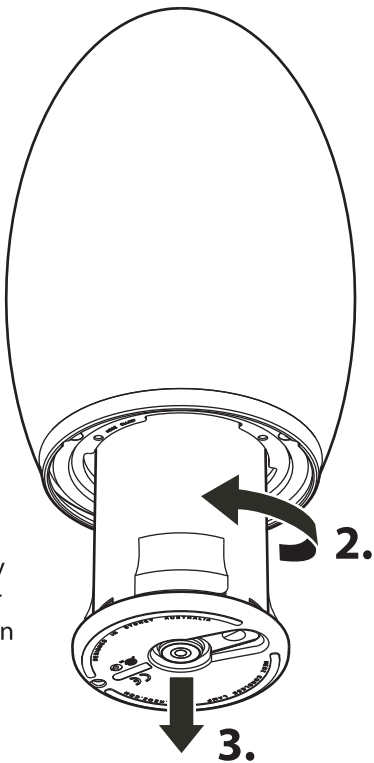
Rotate the battery control unit in anti-clockwise direction.

3.

Carefully remove the battery control unit from the diffuser.

4.

To re-assemble the battery control unit to the diffuser simply follow these steps in the reverse order.

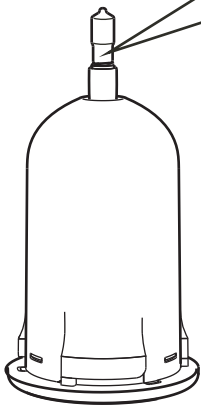
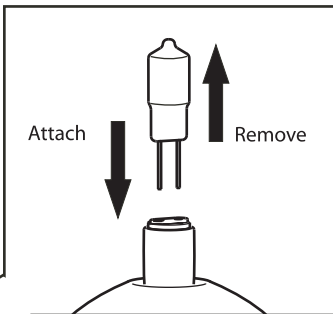


Light Bulb Replacement

Light Bulb Specifications

Halogen Frosted
12V 5W G4

* Unless factory programmed
to accept 10W



Note

- Always use NEOZ approved lamp type
- Be careful not to bend the contact pin of the lamp during insertion into lamp holder.
- For light bulb replacement please contact NEOZ or your Cordless lamp supplier.

Battery Replacement

NEOZ Cordless lamp is powered by a specially designed lithium-ion battery pack. For any replacement battery requirement please contact NEOZ or your Cordless Lamp supplier.

CAUTION

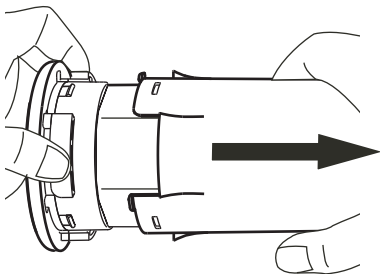
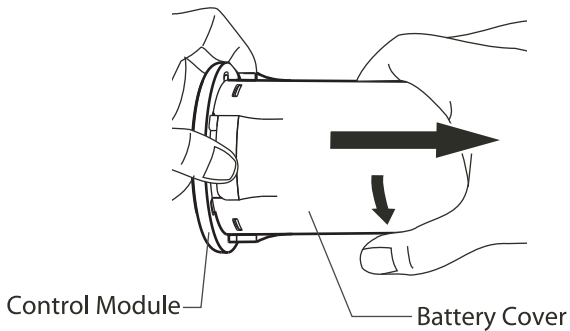
NEOZ Cordless lamp and Battery Pack contain delicate electronic components. **Please read the instructions and proceed with extra care.**

- Please proceed with battery replacement in a dry and cool environment
- Be careful not to drop the battery pack during installation
- If there is any sign of damage on the battery pack, please stop using it immediately and contact NEOZ for replacement.
- Do not connect the battery pack to any other device other than NEOZ Cordless Lamp.

1.

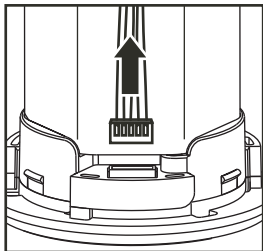
To remove the battery cover, hold the Battery Control Unit as shown.

PULL then **TWIST**



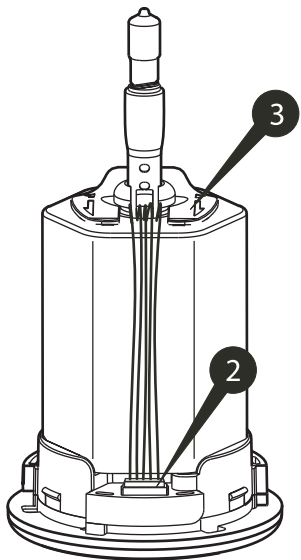
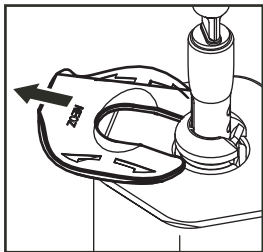
2.

Unplug the battery
connector



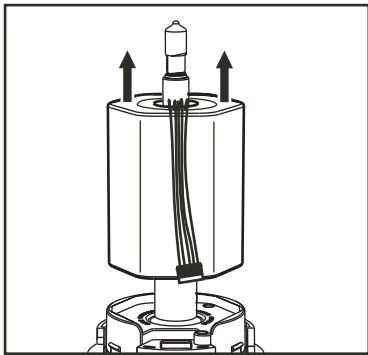
3.

Remove the battery
retainer clip



4.

Remove the battery pack



- Do not dispose the battery pack in fire or heat source. Doing so may cause leakage of battery fluid, bursting or fire
- Do not disassemble the battery pack. Doing so may damage the protection device and cause short circuit.
- Lithium-ion batteries contain valuable resources which are recyclable. Please follow battery recycling guidelines in your local area.

Warranty

NEOZ warrants the products sold by it to be free from defects in materials and workmanship for a period of 36 months from date of purchase.

NEOZ shall repair or replace any part which is found to be defective within the warranty period. In no event shall NEOZ be liable for any claim made outside the warranty period or for any other claims or damages including but not limited to, claims for faulty design, negligent or misleading advice, incidental or consequential damages or injury to any other person, corporation or entity.

The warranty shall not apply where such repair or parts replacement is required because of accident, neglect or misuse, or where equipment is modified, installed or repaired otherwise than in accordance with NEOZ's maintenance and servicing instructions, or where any component or accessory not supplied by NEOZ is attached. This warranty does not include consumables such as Battery Packs or Light sources. Our battery manufacturers warrant their batteries to be free from defects in workmanship and material under normal use and service conditions for a period of one year after the original date of purchase. However this warranty does not warrant the effective life (length of service) of the battery since the effective life of a battery is primarily determined by the usage patterns and the quality and care given over the battery's lifetime.

Cordless Lamp Servicing

As designers and manufacturers of the Cordless Lamp range NEOZ provides a complete replacement parts and servicing facility. Contact us:

5-7 Manning Street
Rozelle NSW 2039
Sydney Australia

T +612 98105520
F +612 95551054
E-mail service@neoz.com.au

or contact your Cordless Lamp supplier.

Specification

LIGHT SOURCE 12 V 5W G4 Halogen - Frosted
Life: 4000+ hours

LIGHT / TIME **Cordless Lamp PRO**
Full Brightness / 10 hours ⁽¹⁾
Medium Intensity / 15 hours ⁽¹⁾
Low Intensity / 30 hours ⁽¹⁾

Cordless Lamp ECO
Full Brightness / 7 hours ⁽¹⁾
Low Intensity / 13 hours ⁽¹⁾

CHARGING TIME Cordless Lamp PRO - 8.5 hours ⁽²⁾
Cordless Lamp ECO - 4.5 hours ⁽²⁾

SWITCHING INTERFACE Switching controlled by a single-key membrane keypad.
LED indicator showing battery charge level in 3 levels.

BATTERY Sanyo lithium-ion rechargeable battery pack.
Life: 1000+ cycles ⁽³⁾

LAMP CONTROL NEOZ Cordless lamp Electronic Control System ver 4.0.
Self diagnosis and monitoring system for lamp hardware and battery health. A built-in intelligent system for highly reliable battery recharging and light control with 3 different lighting modes switchable using the single-key keypad.

CHARGING STATUS DISPLAY Charging status represented by a single tri-colours LED indicator located on the Base Station.

**WORKING
CONDITION****TEMPERATURE**

Charging: 0°C to 30°C
Discharging: 0°C to 40°C
Storage: -10°C to 25°C

HUMIDITY

Operation: 10% to 80% RH without condensation
Storage: 10% to 50% RH without condensation

SAFETY / EMC

The NEOZ Cordless Lamp is an inherently safe, extra-low voltage (SELV) device. The NEOZ Cordless Lamps, Base Stations and Chargers conform to all relevant Australian (C Tick), Canadian (CSA), US (FCC) (CE) and European class B EMC tests for both conducted and radiated emissions. RoHS Compliant.

CHARGER**NEOZ COMMERCIAL CHARGER**

Type: Switch-Mode Power Supply
Input: 100V-240V 50Hz-60Hz 1.2A
Output: DC 15V 3.3A

IP
Intellectual Properties

NEOZ Cordless Lamps are covered by Design Registrations, Software Copyrights and Patent Pending.

Specifications are subject to change without prior notice.

- (1) Figures shown are average light times for a fully charged battery and will vary with temperature and aging of battery.
- (2) Figures shown are average recharging times for a fully discharged battery and will vary with temperature and aging of battery
- (3) Average battery life from laboratory test results.

Visit us at www.NEOZ.com for the most comprehensive information and updates on the NEOZ Cordless Lamp Range.

All rights reserved. No part of this publication may be reproduced in any form or by any means without the prior written permission of NEOZ PTY LTD. Copyright © 2007 by NEOZ PTY LTD, Sydney, Australia

NEOZ and NEOZ Logo are registered trademarks of NEOZ PTY LTD.

V4 07/2007

Printed in Australia on recycled paper